



Vortron Industrial Data Sheet

Centrifugal Blowers, Dryers, Aerators, Forced-Air Cleaners

Vortron's AIRPOWER® Series Of Industrial Blowers

J-70

Vortron's most compact AIRPOWER® model, the J70 specializes in the lower flow, but higher pressure applications (90-130 in-H₂O) without need for excessive impeller speeds. Still, the J70 attains a peak efficiency of 76%! Ideal for high-performance air knives, blow-off, or de-watering systems where high production throughput is required, but manufactured articles are smaller in scale. Also ideal for medium-sized fluidized beds or where large pressure drop/long piping runs exist. Use with air or non-corrosive process gas.

MODEL DESIGNATION: J-70

DESCRIPTION: Single-stage centrifugal compressor, belt driven, permanently-lubed high-speed spindle.

DRIVE SYSTEM: Micro-groove multi-ribbed belt with dual-bearing backside automatic tensioner. Integral Fresh-Aire™ cooling system for belt, tensioner/idler, spindle assembly longevity.

SPINDLE ASSEMBLY: ABEC 9 precision bearings, permanently lubricated.

SEALS: *Standard:* High Performance PTFE Lip
High-Speed: (1) Controlled-Gap Labyrinth Seal

MATERIALS of CONSTRUCTION:

Housing, Volute, Mounting Plate: A356-T6 Aluminum
Impeller: Investment Cast Aluminum
Shaft: *Standard:* Alloy Steel, Heat-treated
Optional: Stainless Steel
Main Drive Pulley: A356-T6, Hard Anodized
Compressor Pulleys: Stainless Steel
Cover: High-Impact Cross-Linked PE

OPERATING SPEED: 14,000 to 28,400 RPM

PERFORMANCE: See Compressor Map For Actual Performance At Specific Operating Point:

Max. Flow (SCFM): 1050
Max. Pressure (in-H₂O): 154
Peak Isentropic Effy (%): 75
Ratings: To 20 HP

PEAK TEMPERATURE:

Inlet (°F): To 130°; max. not to exceed 200° at discharge

Discharge (°F): To 200°

LAYOUT: NEMA C-Face Mount (180 - 256 Series Frame)
Vertical or Horizontal Orientation

Connections (Tubular O.D.):

Inlet: 4.0 in.
Discharge: 3.0 in.; Full 360° Discharge Orientation
Rotation: Clockwise or Optional Counterclockwise (as viewed from inlet)

Dimensions: Refer to installation drawing

SYSTEM OPTIONS:

Suction Filters: (1) High-Performance washable element or HEPA.
(2) Integrated filter/silencer

Mounts: (1) Rigid steel rails
(2) Compliant vibration isolation mounts.

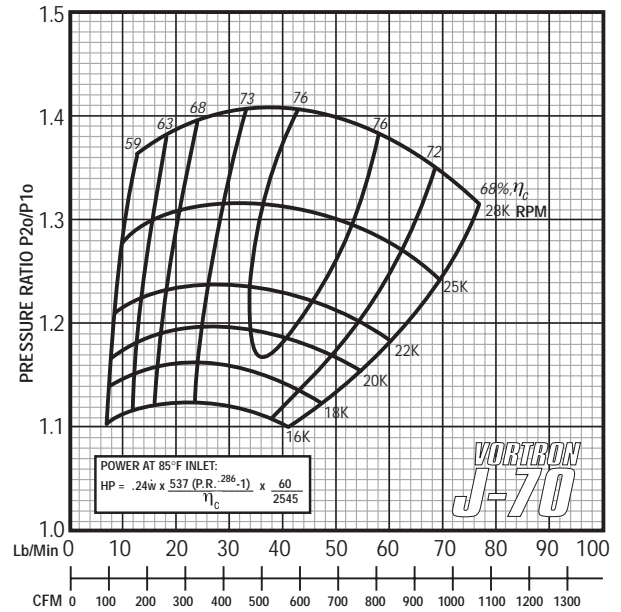
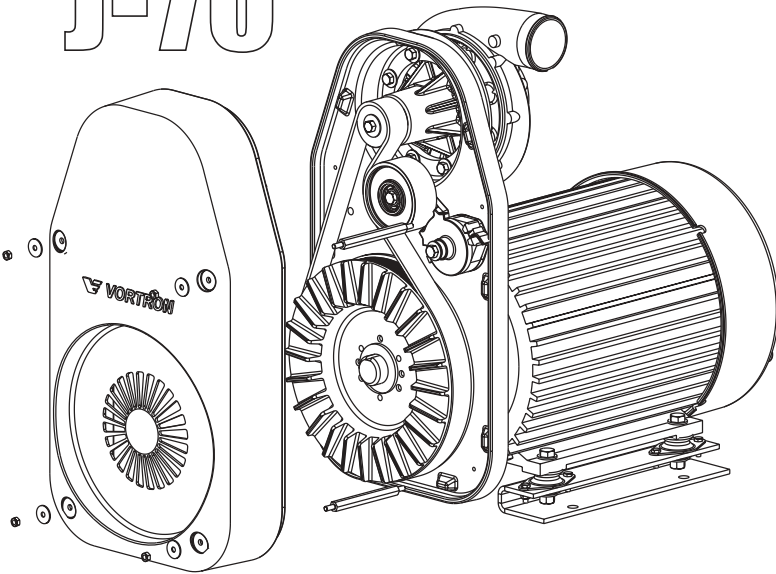
Motors: Inverter duty, premium efficient, washdown, explosion proof



IMPELLER:
*Optimized inducer
blading with
splitter, radial
discharge*

Vortron's AIRPOWER® Series Of Industrial Blowers

J-70



MOTOR SERIES	STANDARD MOUNTS			ISOLATION MOUNTS			AG	A	B	C	Wt(lbs)
	OAH	INLET	OUTLET	OAH	INLET	OUTLET					
182TC, 182TCH	27 9/16	21-3/4	25 3/4	27 1/2	21-3/4	25 3/4	13-1/2	3	10	8-1/2	123
184TC, B184TC, 184TCH, B184TCH	27 9/16	21-3/4	25 3/4	27 1/2	21-3/4	25 3/4	13-1/2	3-1/2	10	8-1/2	140
213TC	27 9/16	21-3/4	25 3/4	27 1/2	21-3/4	25 3/4	15-1/2	3-1/2	11	8-1/2	170
215TC	27 9/16	21-3/4	25 3/4	27 1/2	21-3/4	25 3/4	17	4-1/4	11	8-1/2	180
254TC	27 9/16	21-3/4	25 3/4	28	22-5/16	26 5/16	20-1/8	4-7/8	12-1/2	8-1/2	280
256TC, B256TC	27 9/16	21-3/4	25 3/4	28	22-5/16	26 5/16	21-7/8	5-3/4	12-1/2	8-1/2	300

